



Radiator Cover Sizing Form and Guide

Linear



Robust Linear Bar Grille

Eco



Perforated Steel Grille

Anti-ligature



Linear Grille with Fine Mesh

This Sizing Guide complete with Sizing Sheets can be used for all three styles of cover within the Protex Radiator Cover range.

It is intended for those who wish to undertake site measurement themselves, thereby saving time and money.

Customers familiar with the product will prefer to use the

“Sizing Sheet” on page 8 which allows six radiator covers per page. Most however, will benefit from using the “Sizing Sheet with Guide” shown on page 7 which includes basic sizing advice.

A full copy of this guide should always be available for refer on site, especially when access panel positions or non-standard features are to be specified.

Sizing Form (see pages 7 & 8)

No.	1	Ref.	Classroom 2 - side wall	Style	LIN
				H	800
				D	130
				L	1250
				TL	✓
				TS	—
				SB	—
				W	15
				X	150
				Y	60
				Z	200
				Aw	140
				Ax	TOP
				Ay	—
				Az	—

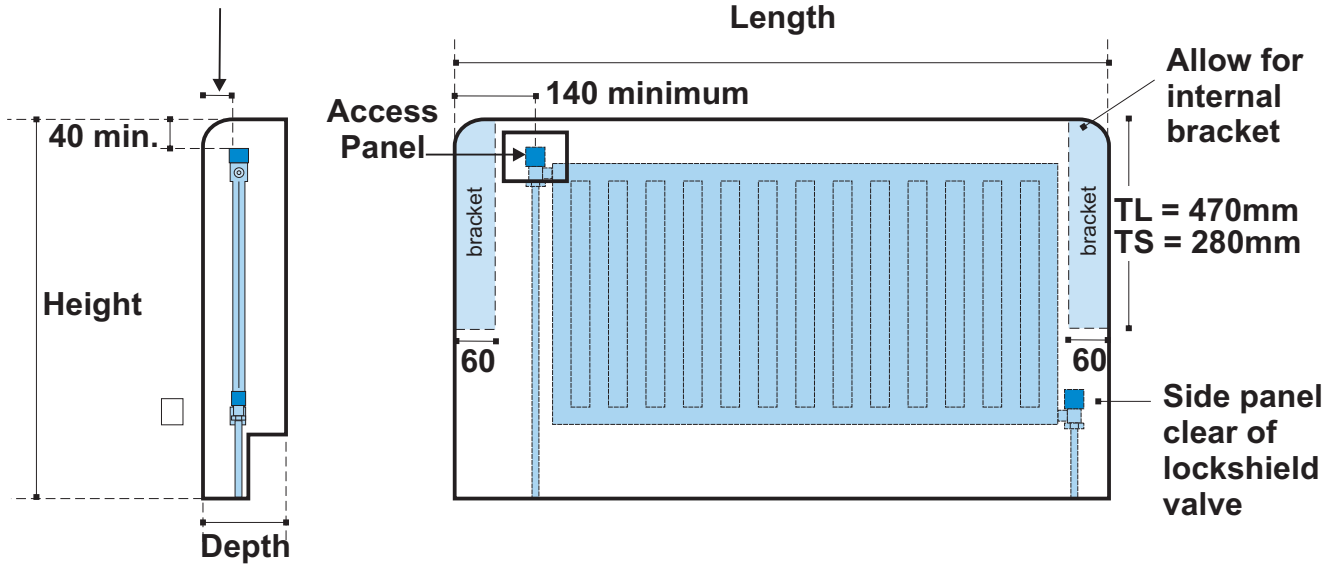
← ECO, LIN or ANTI

Clearances

Front Panel Clearance

Eco & Linear = 30mm

Anti-Ligature = 50mm



Height

Cover height should be measured from the floor to 40mm above the highest point whether it be the top of the radiator or a valve head.

Depth

Cover depth should be the measurement from the wall to the front face of the radiator plus a clearance of 30mm or in the case of anti-ligature models, 50mm. The size should then be chosen from the nearest above size in the table of Standard Depths.

Length

Allow sufficient length to enclose the internal brackets as shown above, and to allow access panels to be sited central to the control valve. (The distance from the centre of an access panel to outside of a cover is always a minimum of 140mm).

Standard Depths

Eco	Linear	Anti-Lig
130	130	
155	155	155
155	155	155
180	180	180
205	205	205

Eco covers are also available in non-standard depths from 130 mm in 10mm increments

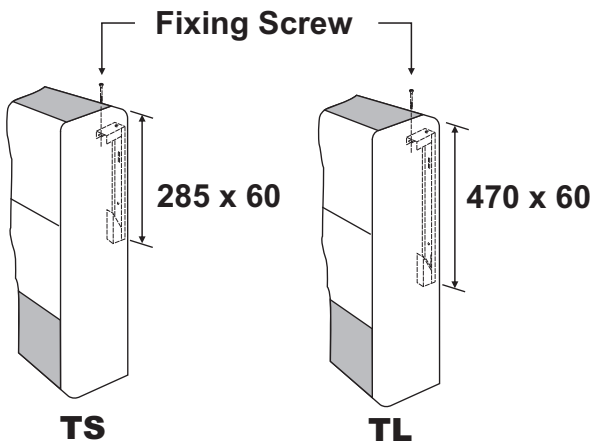
Sizing Form (see pages 7 & 8)

No.	1	Ref.	Classroom 2 - side wall	Style	LIN
				H	800
				D	130
				L	1250
				TL	✓
				TS	—
				SB	—
				W	15
				X	150
				Y	60
				Z	200
				Aw	140
				Ax	TOP
				Ay	—
				Az	—

Height
Depth
Length

Bracketing

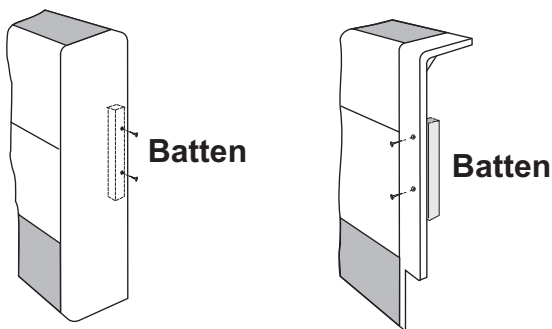
Three bracketing arrangements are available to provide ease of installation and quick access for cleaning and maintenance. All screw heads are supplied powder coated to match the covers.



Standard Fixing Brackets

The **TL** bracket is the default method of bracketing. It gives a tight, secure fixing but allows the cover to be easily removed with a pozi screwdriver for cleaning and maintenance.

The **TS** bracket is the shorter version of the long bracket.



Examples of Side Fixing (SB)

Side Fixing

Two countersunk holes 150mm apart are pressed into the guard side panel or into the front face of an open end panel to enable a simple fixing into a timber batten.

This is primarily used on open end panels and where the cover cannot be dropped onto the standard brackets due to overhanging sills or horse shoe cutouts in the side panels.

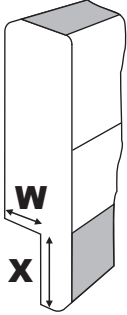
Sizing Form (see pages 7 & 8)

No.	Ref.	Style
1	Classroom 2 - side wall	LIN
		H 800
		D 130
		L 1250
		TL ✓
		TS -
		SB -
		W 15
		X 150
		Y 60
		Z 200
		Aw 140
		Ax TOP
		Ay -
		Az -

Choose bracket type

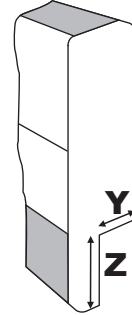
Cutouts

Standard Cutouts



Cutout (LHS)

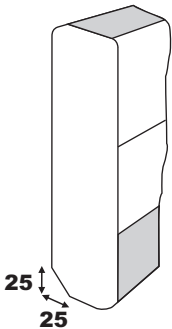
Cutouts for skirting boards and pipe entries are provided as standard during manufacture and are specified using the simple convention of W,X,Y & Z as shown in the diagrams. This eliminates on site cuts which damage the paint finish and ensures a simple, time saving site installation.



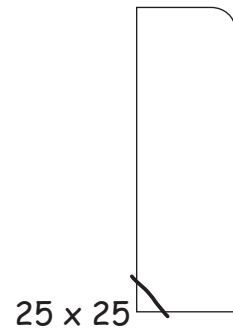
Cutout (RHS)

Vinyl Flooring

For radius finish vinyl sealed floors, draw a diagonal slash on the sizing sheet and indicate a size. Leave the W, X, Y & Z boxes empty



Diagonal cutout



Show on sizing sheet like this

Sizing Form (see pages 7 & 8)

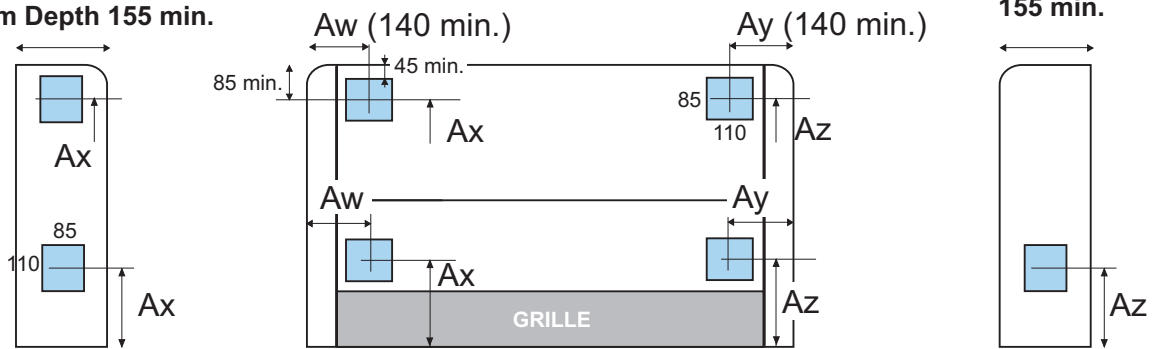
No.	1	Ref.	Classroom 2 - side wall	Style	LIN
				H	800
				D	130
				L	1250
				TL	✓
				TS	—
				SB	—
				W	15
				X	150
				Y	60
				Z	200
				Aw	140
				Ax	TOP
				Ay	—
Az	—				

Cutout Sizes W, X, Y & Z

Access Panel Notation

Access Panel opening size 85 x 110

Side Panel with access
Minimum Depth 155 min.



NOTE

The minimum height for dimension **Ax & Az** is 230mm for ECO & LINEAR covers and 280mm for ANTI-LIGATURE models.

Sizing Sheet Examples

No.	Ref.	Style
1	Classroom 2 - side wall	LIN
H	800	
D	130	
L	1250	
TL	✓	
TS	—	
SB	—	
W	15	
X	150	
Y	60	
Z	200	
Aw	140	
Ax	TOP	
Ay	—	
Az	—	

Access panel top LHS

No.	Ref.	Style
2	Classroom 3 - under window	LIN
H	800	
D	155	
L	1400	
TL	✓	
TS	—	
SB	—	
W	15	
X	150	
Y	60	
Z	200	
Aw	SIDE	
Ax	TOP	
Ay	—	
Az	—	

Access panel in side panel LHS

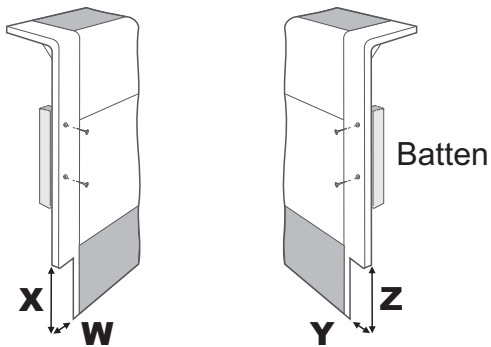
No.	Ref.	Style
3	Classroom 4 - lhs	LIN
H	800	
D	180	
L	1600	
TL	✓	
TS	—	
SB	—	
W	15	
X	150	
Y	60	
Z	200	
Aw	—	
Ax	—	
Ay	200	
Az	280	

Access panel at low level RHS

No.	Ref.	Style
4	Classroom 4 - rhs	LIN
H	800	
D	155	
L	2100	
TL	✓	
TS	—	
SB	—	
W	15	
X	150	
Y	60	
Z	200	
Aw	—	
Ax	—	
Ay	SIDE	
Az	330	

Access panel in side panel RHS

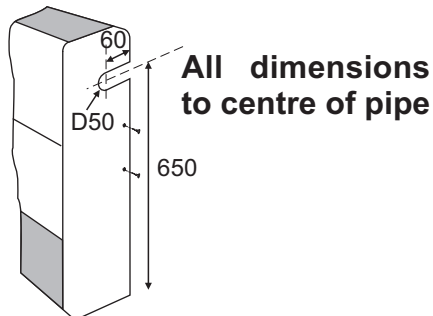
Non Standard Options



Open End Panels

Open end panels are specified where a radiator cover butts up to a side wall. Open end panels are drawn on the sizing sheet at the appropriate end(s) as shown (left). The cutouts in the front face follow the standard convention of **W, X, Y & Z**. The bracketing has to be a **SB fixing** as shown below.

Cutouts use the same W,X,Y and Z convention



All dimensions to centre of pipe

Horse shoe cutout

To specify a horse shoe cutout, three dimensions are required.

1. Height to centre
2. Depth to centre
3. Diameter of cutout

Horse Shoe Dimensions

Sizing Form (see pages 7 & 8)

No.	1	Ref.	Classroom 2 - side wall	Style	LIN
				H	800
				D	130
				L	1250
				TL	✓
				TS	—
				SB	—
				W	15
				X	150
				Y	60
				Z	200
				Aw	140
				Ax	TOP
				Ay	—
				Az	—

Project Details

Customer Name

STYLES

- ECO** Perforated steel grille
- LINEAR** Extremely robust linear grille
- ANTI-LIG** LINEAR design with fine mesh barrier

HEIGHT, DEPTH, LENGTH

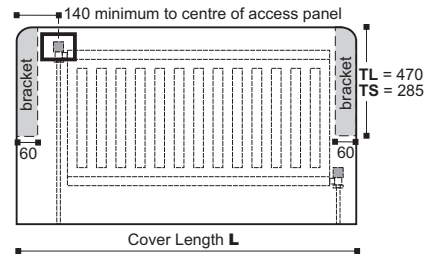
H (Cover Height)
From floor to 40mm above radiator.

D (Cover Depth)
Front Clearance Eco & Linear - 30mm
Anti-ligature - 50mm

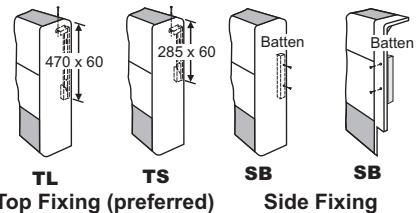
Choose from one of the following Depths	
Eco	From 130mm in 10mm increments
Linear	130, 155, 180, 205, 205+
Anti-lig	130, 155, 180, 205, 205+

L (Cover Length)

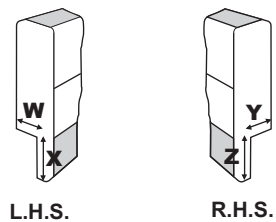
Sufficient to enclose valves, radiator cover brackets & allow room for access panels when required.



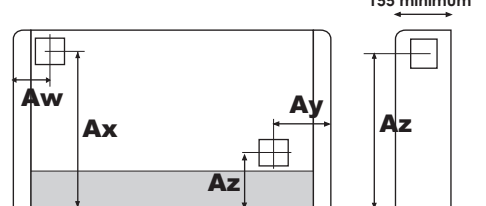
BRACKET CHOICE TL, TS & SB



CUTOUTS W, X, Y & Z



ACCESS POSITIONS



Access panels can be placed on the front of a cover outside of the grilled area and also within side panels having a minimum depth of 155mm. Please refer to our detailed information on access panel positions and restrictions.

NOTE - Ax & Az minimum height is 230mm for ECO and LINEAR types, and 280mm for ANTI-LIGATURE.

No.	Ref.	Style
		H
		D
		L
		TL
		TS
		SB
		W
		X
		Y
		Z
		Aw
		Ax
		Ay
		Az
Notes. _____		

No.	Ref.	Style
		H
		D
		L
		TL
		TS
		SB
		W
		X
		Y
		Z
		Aw
		Ax
		Ay
		Az
Notes. _____		

No.	Ref.	Style
		H
		D
		L
		TL
		TS
		SB
		W
		X
		Y
		Z
		Aw
		Ax
		Ay
		Az
Notes. _____		

Contact Details

Please do not hesitate to contact us if you require an further advice. We have years of experience in providing commercial radiator covers of every conceivable configuration and we can talk you through any on site queries over the phone.

Postal Address : BSMW Products Limited
Birds Royd Lane
Brighouse
West Yorkshire
HD6 1LQ

Telephone : 01484 713748

Fax : 01484 400831

E-Mail : sales@bsmw.co.uk

Web Site : www.bsmw.co.uk

BSMW Products Ltd

Birds Royd Lane, Brighouse. HD6 1LQ. Tel (01484) 713748 Fax (01484) 400831 E-mail sales@bsmw.co.uk www.bsmw.co.uk