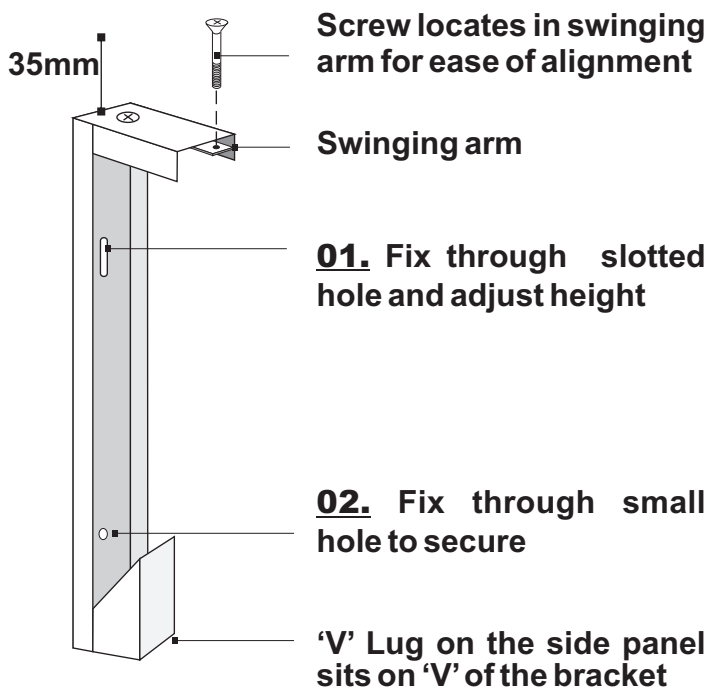


Fitting Instructions



Place the heater guard against the wall in the position it is to be fixed and mark the bracket positions.

Fix the two brackets approx. 35mm below the top of the radiator cover through the bracket slotted holes.

Sit the cover on the brackets and make any fine adjustment to bracket height.

Secure brackets through remaining bracket hole.

Replace cover, align set screw with swinging arm of bracket then tighten until cover is firmly secure. Do not overtighten.

BRACKET

